

## DS-T100



### Key Features

- 1.0 Megapixel high-performance CMOS
- Analog HD output, up to 720P resolution
- True Day/Night
- DNR, Smart IR
- Up to 20m IR distance
- IP66 weatherproof

### Specification

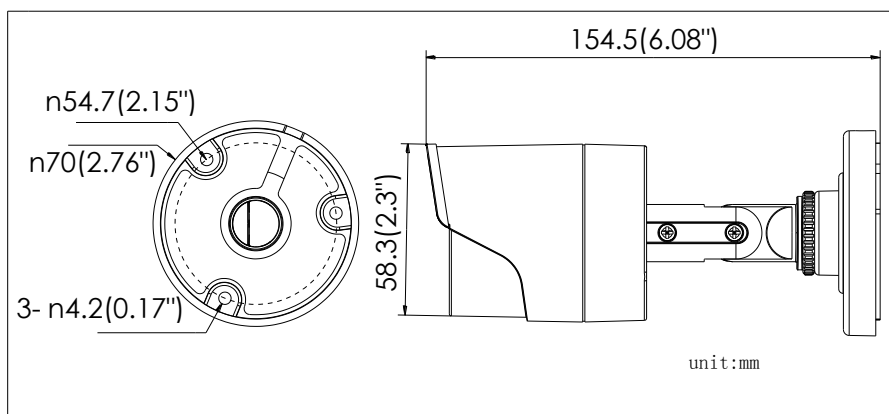
Model	DS-T100
Parameter	Turbo HD720p IR Bullet Camera
<b>Camera</b>	
Image Sensor	1MP CMOS Image Sensor
Effective Pixels	1296(H)*732(V)
Min. Illumination	0.1 Lux @(F1.2,AGC ON), 0 Lux with IR
Shutter Time	1/25(1/30) s to 1/50,000 s
Lens	3.6mm (2.8mm, 6mm optional)
	Angle of View: 70.9°(3.6mm), 92°(2.8mm), 56.7°(6mm)
Lens Mount	M12
Angle Adjustment	Pan: 0 - 360°, Tilt: 0 - 180°, Rotation: 0 - 360°
Day & Night	ICR
Synchronization	Internal synchronization
Video Frame Rate	720p@25fps/720p@30fps
HD Video Output	1 Analog HD output
S/N Ratio	> 62dB
<b>General</b>	
Working	-40 °C - 60 °C (-40 °F - 140 °F)

Temperature/Humidity	Humidity 90% or less (non-condensing)
Power Supply	12V DC $\pm$ 15%
Power Consumption	Max. 4W
Weather Proof Ratings	IP66
IR Range	Up to 20m
Dimension	$\Phi$ 70 $\times$ 149.5 mm ( $\Phi$ 2.76" $\times$ 5.89")
Weight	360g (0.79lb)

## Order Model

DS-T100

## Dimension



## Accessory



DS-1280ZJ-XS  
Junction box



DS-1H18  
Video Balun



DS-TT-X41T  
TVI Tester